

CB Hand Chain Hoist

1/2 Through 100 Ton Capacity

Harrington CB hand chain hoists combine a rugged exterior shell with machined interior components to handle your most demanding lifting operations. An efficient drive train minimizes manual effort, while double enclosed brake cover, standard slip clutch, and double pawl springs enhance performance and reliability.

Many Benefits from More Features:

- Experience exceptional durability thanks to all-steel construction featuring rugged gear case enclosure and handwheel cover.
- Enjoy increased lifting height thanks to low headroom.
- Compact design results in lightweight and easy portability.
- Minimize manual effort thanks to efficient drive train.
- Standard slip clutch device prevents the hoist from being used to lift damaging loads beyond rated capacity.
- Double pawl springs provide redundancy for reliable operation of brake mechanism.
- Get reliable braking with double enclosed brake cover that keeps out dust, rain, and dirt.
- Powder-coated body is resistant to corrosion, chipping, fading and wear.

Options: (See pages 30-32)

- Chain container
- Corrosion-resistant chain
- Inspection hook
- Bullard® and SmartLok™ hooks

Capabilities to Count On:

- 10- and 20-foot standard lifts, nonstandard lifts and hand chain drops are also available.
- Grade 100 heat-treated manganese alloy load chain resists abrasion and wear while minimizing chain weight.
- Forged and heat-treated alloy steel hooks are designed to open slowly, without fracturing under excessive loads.
- Test certificate verifies that every hoist has been factory load tested to 125% of rated capacity, in accordance with ASME B30.16 requirements.



CB Hand Chain Hoist

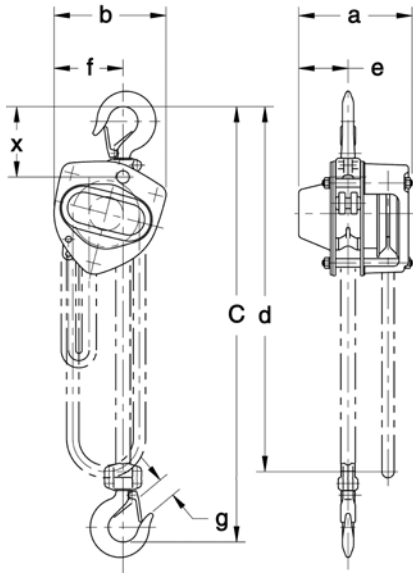
CB HAND CHAIN HOIST — SPECIFICATIONS

Cap. (Tons)	Product Code	Headroom C (in)	Std. Lift (ft)	Pull to Lift Load (lbs)	Overhaul Ratio	Load Chain Dia. (mm) x Chain Fall Lines	Net Weight (lbs)	Shipping Weight Approx. (lbs)	Weight for Additional One Foot of Lift (lbs)
1/2	CB005	11.2	10	48	25	5.0 x 1	24	25	1.0
1	CB010	11.6		58	43	6.3 x 1	28	29	1.2
1 1/2	CB015	13.8		70	57	7.1 x 1	35	36	1.4
2	CB020	14.8		72	70	8.0 x 1	45	47	1.6
2 1/2	CB025	16.5		66	99	9.0 x 1	60	62	1.8
3	CB030	20.1		72	114	7.1 x 2	54	58	2.1
5	CB050	23.6		68	198	9.0 x 2	91	95	3.0
8	CB080	30.3		75	297	9.0 x 3	133	140	4.1
10	CB100	29.9		72	396	9.0 x 4	176	194	5.3
15	CB150	40.2		74	594	9.0 x 6	331	353	7.6
20	CB200	46.5		72 x 2	396 x 2	9.0 x 8	503	657	10.6
30	CB300	51.2		86 x 2	495 x 2	9.0 x 10	665	864	12.9
40	CB400	58.3			693 x 2	9.0 x 14	1033	1364	17.6
50	CB500	61.4		98 x 2	792 x 2	9.0 x 16	1382	1713	19.9
80	CB800	100.8		86 x 4	693 x 4	9.0 x 28	3298	-	35.2
100	CB1000	125.2		98 x 4	792 x 4	9.0 x 32	6419		39.9

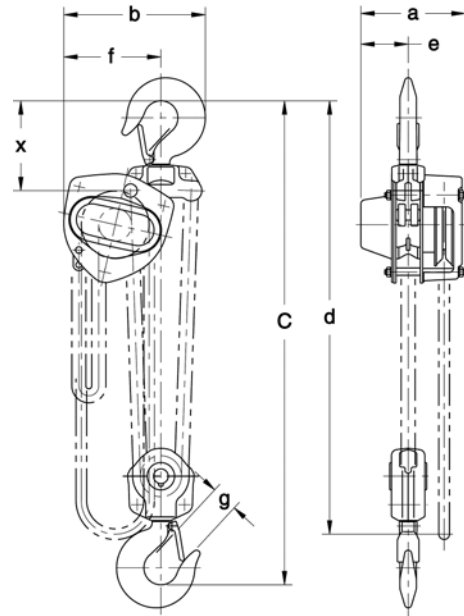
Please Note: Special lengths of load and hand chain available upon request.
Weights are approximate.

CB HAND CHAIN HOIST — DIMENSIONS

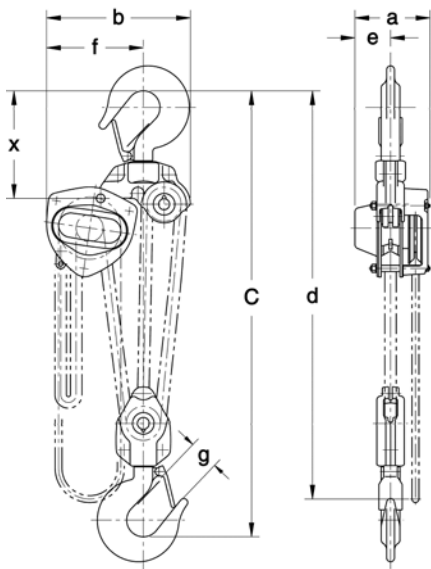
Cap. (Tons)	Product Code	a (in)	b (in)	d (ft)	e (in)	f (in)	g (in)	x (in)
1/2	CB005	6.2	6.3	10.0	2.7	3.9	1.1	3.5
1	CB010	6.4			2.8			4.0
1 1/2	CB015	6.7	7.2		3.1	4.4	1.3	4.7
2	CB020	7.2	8.0		3.4	4.9	1.4	4.9
2 1/2	CB025	7.6	9.2		3.6	5.6	1.6	5.4
3	CB030	6.7	9.3	10.3	3.1	6.4	1.7	5.8
5	CB050	7.6	11.1	12.0	3.6	7.6	1.8	6.8
8	CB080		14.7	12.3		10.0		10.8
10	CB100		17.2	12.9	4.4	12.1	2.9	11.7
15	CB150	10.6	19.4	13.9	4.7	13.3	3.1	12.6
20	CB200	14.7	29.4	14.3	7.4	14.7	3.2	13.8
30	CB300	15.9		14.3	8.0		4.1	15.7
40	CB400	19.8	29.9	14.6	9.9	15.0	3.8	17.5
50	CB500	21.4	31.3	14.6	10.7	15.7	4.0	18.4
80	CB800	29.9	55.2	13.9	13.8	27.6	5.1	-
100	CB1000	31.3	56.9	12.6	15.7	28.4	7.3	



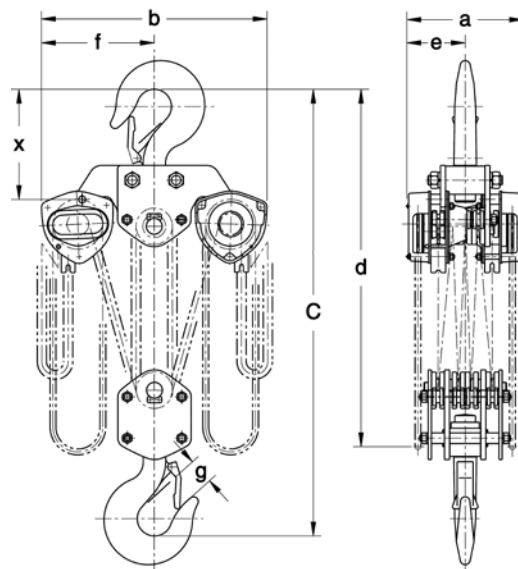
1/2 - 2 1/2 Ton



3 - 5 Ton



8 - 15 Ton



20 - 100 Ton

CF Hand Chain Hoist

1/2 Through 5 Ton Capacity

Harrington CF hand chain hoists give you a practical alternative thanks to an economical design using fewer parts for trouble-free service. Outstanding durability is due to a die-cast aluminum body and high-strength, heat-treated main pinion shaft and load gear. Pre-lubricated ball bearings, precision machined gears, and Weston-style load brake make lifting smooth and easy while allowing long service and low maintenance.

Many Benefits from More Features:

- Experience exceptional strength with a thick die-cast aluminum body.
- Handle tough demands with high-strength, heat-treated main pinion shaft and load gear.
- Get positive braking action with Weston-style load brake incorporating two moisture-resistant brake pads with four braking surfaces.
- Minimize manual effort thanks to smooth running, pre-lubricated ball bearings, and precision machined drive train components.
- Simplify maintenance with fewer parts and an easy-to-work-on design.

Capabilities to Count On:

- 10-foot lift is standard, 15- and 20-foot lifts are also stocked; nonstandard lifts and hand chain drops available as well.
- Grade 100 heat-treated manganese alloy load chain resists abrasion and wear while minimizing chain weight.
- Forged and heat-treated alloy steel hooks are designed to open slowly and not fracture under excessive loads.
- Test certificate verifies that every hoist has been factory load tested to 125% of rated capacity, in accordance with ASME B30.16 requirements.

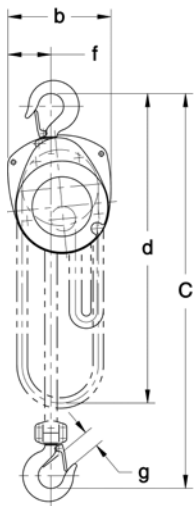
Options: (See Pages 30–32)

- Chain container
- Corrosion-resistant chain
- Inspection hook
- Bullard® and SmartLok™ hooks

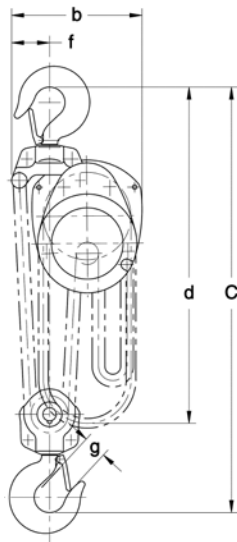
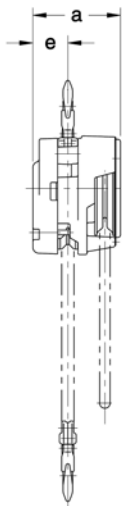


CF HAND CHAIN HOIST — DIMENSIONS

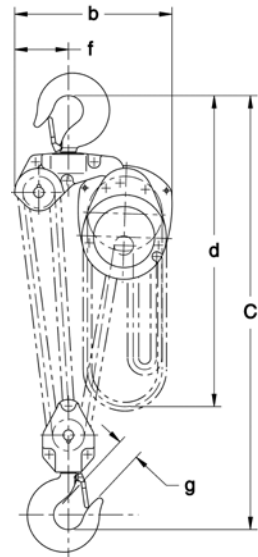
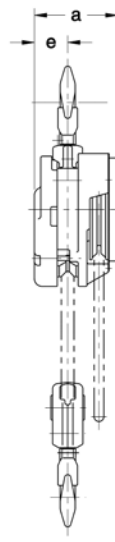
Cap. (Tons)	Product Code	a (in)	b (in)	d (ft)	e (in)	f (in)	g (in)
1/2	CF005	5.4	5.9	10	2.0	2.4	1.1
1	CF010	5.8	6.9		2.3	2.9	
1 1/2	CF015	6.0	8.0		2.4	3.4	1.3
2	CF020	5.8			2.3	2.3	1.4
3	CF030	6.0	9.4		2.4	2.7	1.7
5	CF050		13.5			4.5	1.8



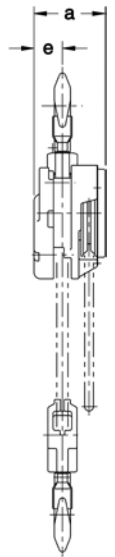
1/2 – 1 1/2 Ton



2 – 3 Ton



5 Ton



CF HAND CHAIN HOIST — SPECIFICATIONS

Cap. (Tons)	Product Code	Headroom C (in)	Std. Lift (ft)	Pull to Lift Load (lbs)	Overhaul Ratio	Load Chain Diameter (mm) x Chain Fall Lines	Net Weight (lbs)	Shipping Weight Approx. (lbs)	Weight for Additional One Foot of Lift (lbs)
1/2	CF005	12.8	10	60	19	5.0 x 1	24	26	1.0
1	CF010	14.6		72	31	6.3 x 1	29	31	1.2
1 1/2	CF015	17.3		84	41	7.1 x 1	40	42	1.4
2	CF020	20.1		80	63	6.3 x 2	47	49	1.8
3	CF030	23.2		92	81	7.1 x 2	62	66	2.1
5	CF050	24.4			134	7.1 x 3	82	86	2.9

Please Note: Special lengths of load and hand chain available upon request. Weights are approximate.

CX Mini Hand Chain Hoist

1/4, 1/2 and 1 Ton Capacity

Harrington's CX mini hand chain hoist is the world's smallest industrial hoist. This uniquely compact and lightweight hoist is the perfect choice for jobs with light loads in high or difficult to reach places such as duct installation, plumbing and heating, home automobile maintenance and crane repair.

Many Benefits from More Features:

- Unique design is extremely compact and lightweight
- Aluminum body with steel frame provides superior strength.
- Load limiter prevents the hoist from being used to lift damaging loads beyond rated capacity.
- Very low force is required to lift load.
- Metal chain guide allows smooth operation.
- Effortless to transport, install and store.
- Powder-coated body is resistant to corrosion, chipping, fading and wear.

Capabilities to Count On:

- Grade 100, nickel-plated load chain is corrosion and wear resistant.
- Strong hook latches include safety tip.
- 10-foot lift is standard, 20-foot lift is also stocked; nonstandard lifts and hand chain drops are also available.
- Sold individually or in convenient 4-packs.
- Test certificate verifies that every hoist has been factory load tested to 125% of rated capacity in accordance with ASME B30.16 requirements.



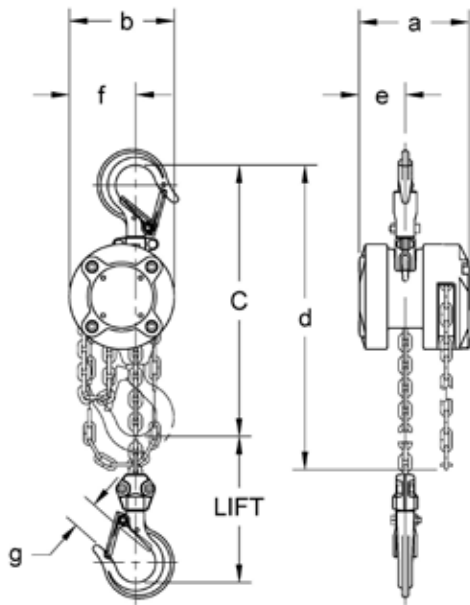
1/2 Ton

1 Ton

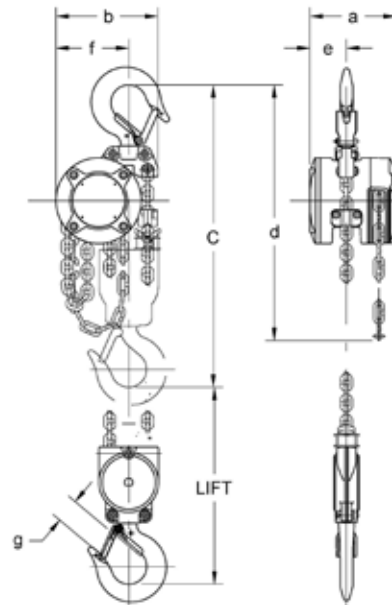
CX MINI HAND CHAIN HOIST — SPECIFICATIONS & DIMENSIONS

Cap. (Tons)	Product Code	Headroom C (in)	Std. Lift (ft)	Pull to Lift Load (lbs)	Over-haul Ratio	a (in)	b (in)	d (ft)	e (in)	f (in)	g (in)	Load Chain Diameter (mm) x Chain Fall Lines	Net Weight (lbs)	Shipping Weight Approx. (lbs)	Weight for Additional One Foot of Lift (lbs)
1/4	CX003	8.5	10	33	34	3.5	3.3	6.8	1.5	2.1	0.8	3.2 x 1	7	7	0.3
1/4	CX003	8.5	20	33	34	3.5	3.3	16.6	1.5	2.1	0.8	3.2 x 1	9	9	0.3
1/2	CX005	10.2	10	42	43	4.0	4.0	6.8	1.7	2.6	1.0	4.3 x 1	10	10.6	0.6
1/2	CX005	10.2	20	42	43	4.0	4.0	16.6	1.7	2.6	1.0	4.3 x 1	16	16.4	0.6
1	CX010	14.1	10	44	86	4.1	4.8	6.8	1.7	3.4	1.1	4.3 x 2	17	17.4	3.1
1	CX010	14.1	20	44	86	4.1	4.8	16.6	1.7	3.4	1.1	4.3 x 2	26	26.7	3.1

Weights are approximate.



1/4 Ton CX



1 Ton CX